

**AXOR MyEdition**  
**Wall-Mounted Single-Handle Faucet Trim without Plate, 1.2 GPM**  
 Finishes : Part no. : **47062001**



### Features

- Spray modes: PowderRain spray
- Flow: 1.2 GPM (4.5 L/Min)
- Ceramic cartridge
- Does not include: Plate

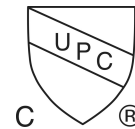
### Item details

List Price \$ 826.00

### Technology



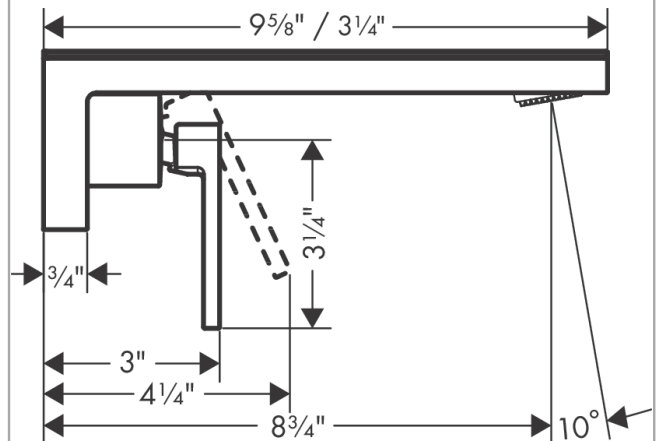
### Compliance



### Product image



### Scale drawing

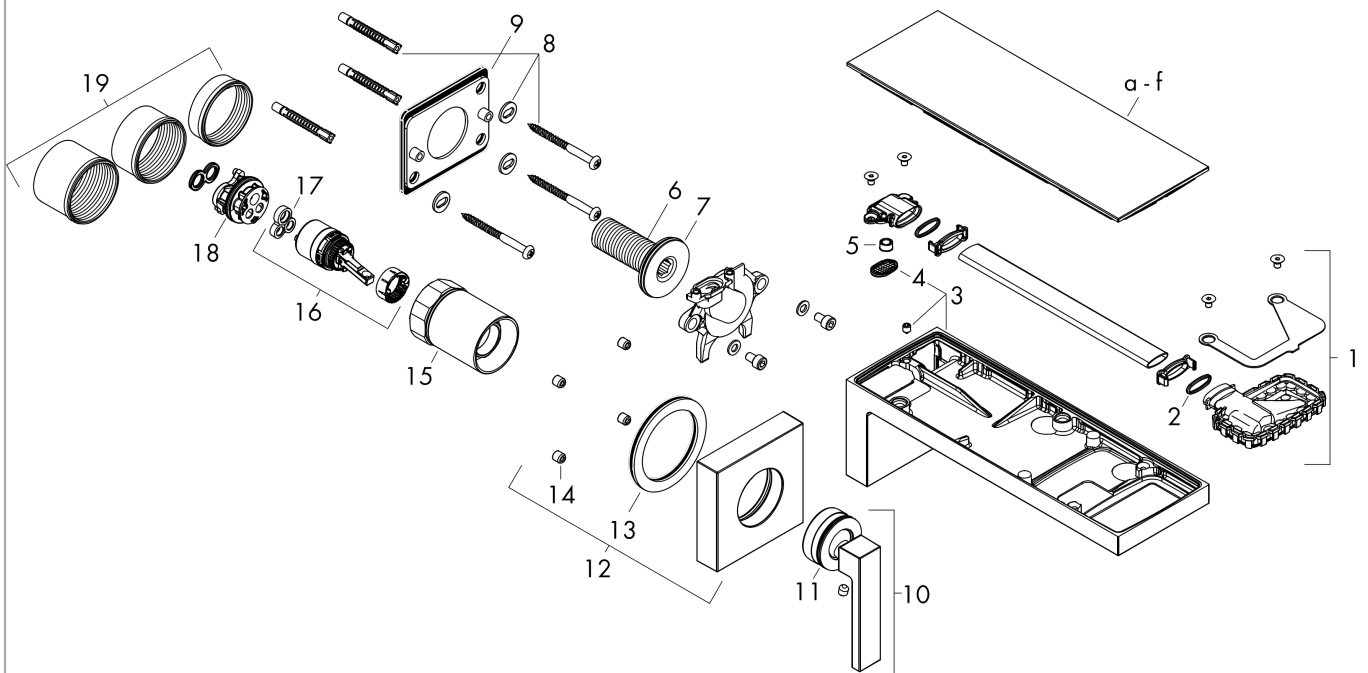


**AXOR MyEdition**  
**Wall-Mounted Single-Handle Faucet Trim without Plate, 1.2 GPM**  
Finishes : Part no. : **47062001**



## Exploded drawing

Year of production: >02/19



**AXOR MyEdition**  
**Wall-Mounted Single-Handle Faucet Trim without Plate, 1.2 GPM**  
 Finishes : Part no. : **47062001**



## Spare parts list

Year of production: >02/19

Pos.		Part no.	Price	PU
1	spray former	93385000	-	1
2	O-ring 13x1,5	98475000	-	1
3	spout 220 mm	93370000	-	1
4	filter packing	93374000	-	1
5	flow limiter (5 l/min)	95311000	-	1
6	connecting thread G½	93387000	-	1
7	O-ring 36x2	98156000	-	1
8	mounting set	96179000	-	1
9	null	93925000	-	1
10	handle	93372000	-	1
11	O-ring 33x1,5	98164000	-	1
12	escutcheon for handle	93371000	-	1
13	washer	97600000	-	1
14	screw cover	96762000	-	1
15	sleeve	93373000	-	1
16	cartridge, assy	92900000	-	1
17	seal	93383000	-	1
18	O-ring 26x2	98147000	-	1
19	fixing set	97971000	-	1
a	cover	47907000	-	1
b	cover	47910000	-	1
c	cover	47914000	-	1
d	cover	47917000	-	1
e	cover	47904000	-	1
f	cover	47901000	-	1
g	extension 25 mm	13586000	-	1
h	null	93407000	-	1